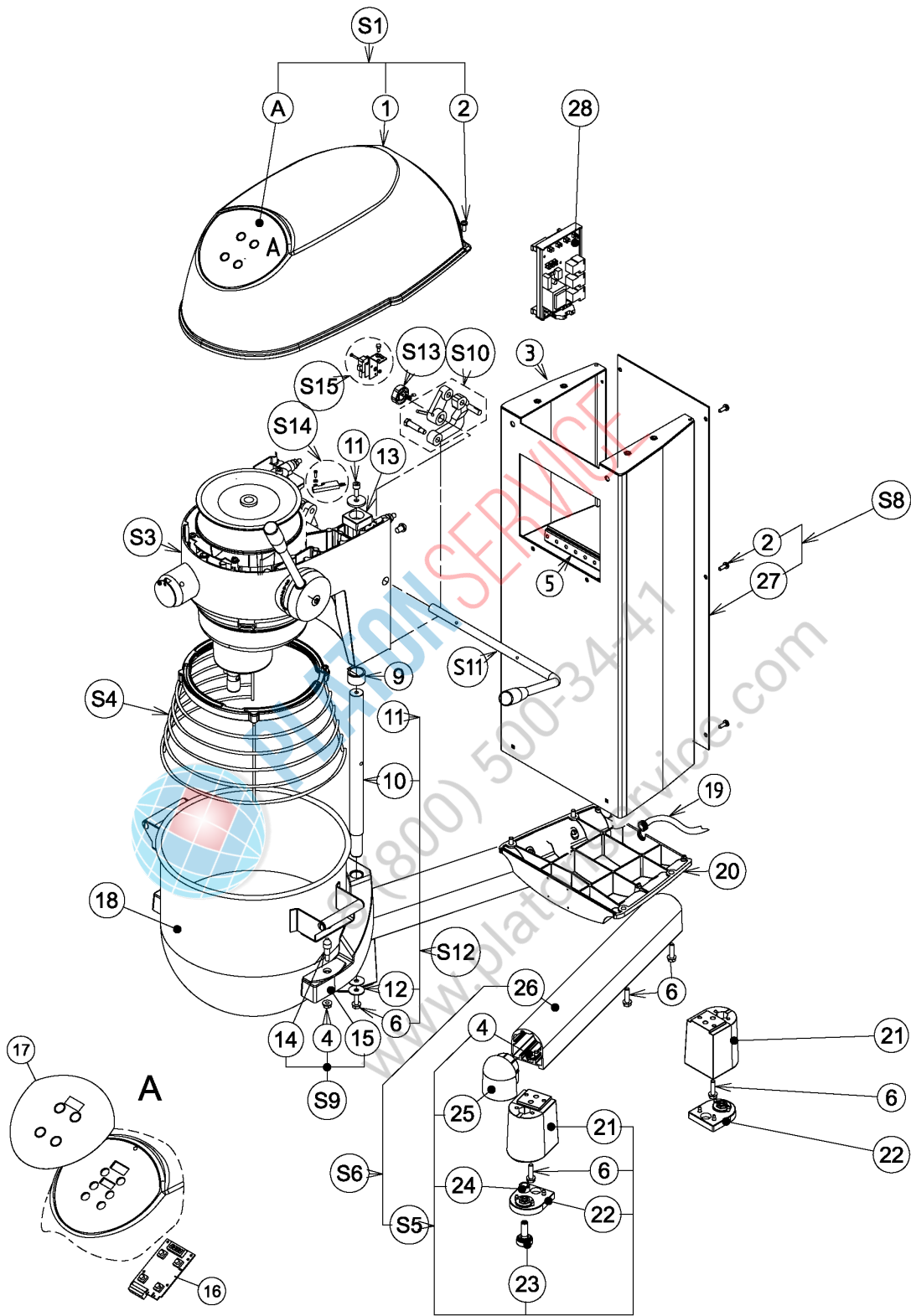


Vue éclatée Structure / Exploded view - Structure / Explosionszeichnung - Rahmen



B

XBM20/30 FR 09 07

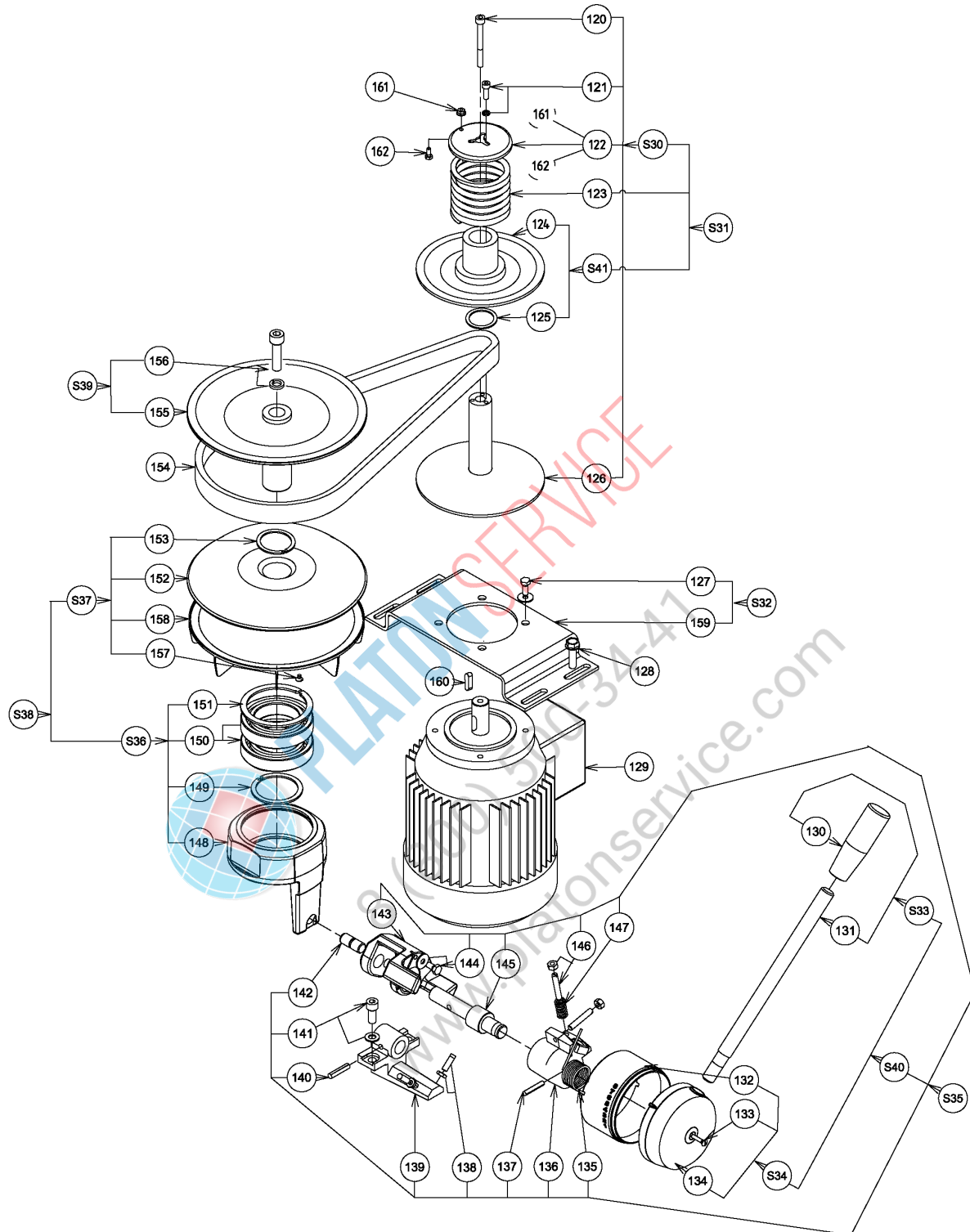
??????		601856														
??????		SPXBM2030		???????? 2		Exploded view - Structure										
.		Alias		S			.						(Euro)			
0001	000000											See S1				
0002	0D3333											TAPTITE SCREW TORX; SET 10PCS:M6X16	22,84			
0003	0D6463											D	COLUMN; TABLE XBM-XBE-XBB20	388,70		
0003	0D6464											D	COLUMN; SOL XBM-XBE-XBB20/30	405,00		
0003	0D6465											D	COLUMN; TABLE IN XBM-XBE-XBB20	802,00		
0003	0D6466											D	COLUMN; SOL INOX XBM-XBE-XBB20	685,00		
0004	0D3590												RING NUT HU M8 WRAPPED SET X10	18,76		
0005	0D6574											D	RAIL SUP.; EQ COMPOSANT XBM20	40,09		
0006	0D6084												VIS H EMB CRANTEE M8X30 (JX10)	22,74		
0009	0D1035												BUSH;2 PCS	39,48		
0010	000000												See S12			
0011	0D6084												VIS H EMB CRANTEE M8X30 (JX10)	22,74		
0011	0D6275											D	WASHER; BM10 (JEU X5)	28,83		
0012	000000															
0013	0U0535												PAD EM12/EM20/EM30	5,29		
0014	0KQ284												PIN	7,29		
0015	000000												See S9			
0016	0D5366											S	TIMER BOARD; EQ XBM20/30/40	142,10		
0017	0D5123												MEMBRANE; XBM20			
0017	0D5125												MEMBRANE; XBM30			
0018	653160	653160											BOWL FOR 30LT MIXER			
0018	653426	653426											BOWL FOR 20LT MIXER	385,80		
0019	0D6134												D	CORDON 4X1MM2 (4XEMB SF) XBM	19,79	
0019	0D6135													CORDON 3X1MM2+FICHE (3XEMB SF)	19,22	
0019	0D6368													CABLE; + FICHE UK (3 X EMB SF)	18,68	
0019	0D6575												D	SUPPLY CABLE; SJOW 3XAWG16 (3XEMB SF)		
0020	0D2781												D	BASE ASSY XBM20/30	78,16	
0021	0D6137												S	PIED XB20	18,30	
0022	0D2778													PAD XBM20/30 (SET X4)	31,97	
0023	0D2779												S	ADJUSTABLE PAD XBM20/30 (SET X2)	26,09	
0024	0D0587												D	SET OF 10 PCS NUTS NYLOC M12	21,01	
0025	0D2776												D	TUBE END PIECE XBM20/30 (SET X4)	23,45	
0026	0D6138												D	TUBE PIED XB40	71,76	
0027	000000													See S8		
0028	0KJ778												S	A	POWER BOARD; 3-PHASE	151,20

?????? 601856

?????? SPXBM2030 ???????? 2 Exploded view - Structure

.		Alias		S			.		(Euro)
0028	0KQ429			S	A			POWER BOARD; 1-P 220/240V-50/60HZ	197,90
00S1	0D2768							COVER ASSY XBM30	271,00
00S1	0D3459			S				COVER ASSY XBM20	287,20
00S3	0D6468				D			HEAD; SANS PA XBM20/30	2 274,00
00S3	0D6469				D			HEAD; AVEC PA XBM20/30	2 517,00
00S4	0D2770		0D7814					PROTECTIVE GRATING; ASSY XBM20/30	133,00
00S5	0D2777							FOOT ASSY XBM20/30	54,91
00S6	0D2780							FOOT TUBE ASSY XBM20/30	123,80
00S8	0D2786							REAR PLATE THREE PH ASSY XBM20/30	95,41
00S8	0D2787							REAR PLATE SINGLE PH ASSY XBM20/30	90,84
00S8	0D3515				D			REAR PLATE THREE PH (TABLE) ASSY XBM20	106,60
00S8	0D3516				D			REAR PLATE SINGLE PH (TABLE) ASSY XBM20	112,70
00S9	0H1038							CRADLE	215,20
00S9	0U0557				D			BOWL SUPPORT STRUCTURE BM30	387,70
0S10	0D2683							CONTROL LINK ROD ASSY MB BM20	109,60
0S11	0D2774							LIFT/LOWER CONTROL LEVER ASSY XBM20/30	71,76
0S12	0D5363				D			SHAFT; XB20-30	82,32
0S13	0D2773							LIFT/LOWER SAFETY CAM ASSY XBM+BM20/30	19,42
0S14	0D2771			S	A			GUARD SAFETY ASSY; XBM20/30	54,91
0S15	0D2772				A			SAFETY DEVICE ASSY; LIFT./ LOW.; XBM20/30	56,03

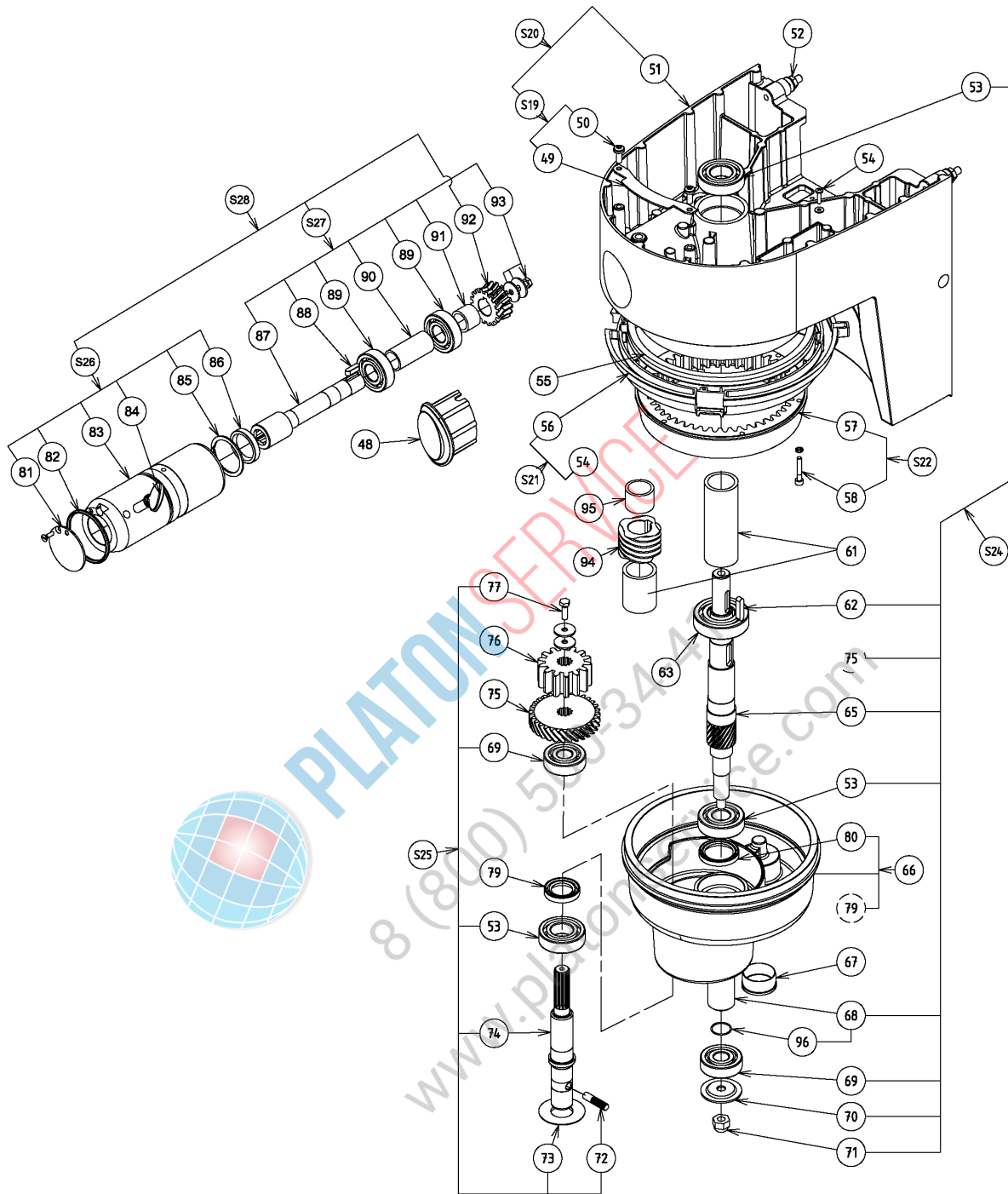
Vue éclatée variateur / Exploded view - Variator



??????		601856							
??????		SPXBM2030		???????? 6		Exploded view - Variator			
.		Alias		S		.			(Euro)
0120	0D2311							SCREW CHCM6X90 SET X5	20,60
0120	0D2876							WASHER W6 SET X10	17,37
0121	0D2297				D			WASHER CS M5 SET X10	18,20
0121	0D2942				D			SCREW H M5X20 STLESS STL (SET X10)	18,57
0122	0D6770				D			WHASER; BM40	33,29
0123	0D2726				D			SPRING XB20	13,62
0124	000000							See S41	
0125	0KQ515							WASHER	24,46
0126	0KQ569		0D6187					FLANGE	
0127	0D0619							WASHER; 10 PCS	19,11
0127	0KQ494							SCREW; 10 PCS	20,27
0128	0D6084							VIS H EMB CRANTEE M8X30 (JX10)	22,74
0129	0D6119							MOTOR; 3PH 230V-400V 50/60HZ	268,00
0130	0D2679							HANDLE; I580/90 N-16 BLACK	10,36
0131	0D6028							LEVIER COM VARIATION XB20	29,94
0132	0D6120				D			RACCORD CHGT VITESSE XB20	8,40
0133	0D0679				D			SCREW; 10 PCS	19,54
0134	0D6121							CAPUCHON XB20	4,58
0135	0KJ730			S				SPRING	4,12
0136	034008			S				LEVER SUPPORT; BM40	56,03
0137	0D3586							PIN G01 5X30 GALVA STL (SET X10)	23,95
0138	0D0590							NUT; 10 PCS	18,69
0138	0U0671							SCREW; 10 PCS	23,85
0139	0KI645							BUFFER	44,66
0140	0D0400							PIN; 10 PCS	23,45
0141	0KQ492							SCREW	21,01
0141	0U0660							WASHER; 10 PCS	19,11
0142	0U0449							STUD	4,96
0143	0KQ356							BRACKET	60,19
0144	0D0619							WASHER; 10 PCS	19,11
0144	0D3587			S				SCREW H M6X12 STL80 (SET X10)	18,57
0145	0U0361							CONTROSTAFFA	32,48
0146	0D0503							NUT; 10 PCS	18,90
0146	0HD006							CHIAVETTA; 4X18	20,27
0147	0KQ353			S				SPRING	1,68
0148	0D6122				D			BALADEUR DEGRAISSE BM20	51,56

??????		601856									
??????		SPXBM2030		???????? 6		Exploded view - Variator					
.		Alias		S			.			(Euro)	
0149	0KQ497								C-CLAMP; 10 PCS	27,91	
0150	0KQ332			S					BEARING; 6010 2RS	15,77	
0151	0KQ498								CLAMP; 10 PCS	33,60	
0152	000000								See S37		
0153	0D0496								CLIP; 10 PCS	23,75	
0154	0D2720			S	A				BELT; 1000 W 25 EP=10.5	50,65	
0155	000000								See S39		
0156	0D2265								WASHER W10 BM40 SET X10	18,57	
0156	0D6099								VIS CHC M10X40 AC 80 (JEU X10)	21,52	
0157	0D1023					D			SCREW; 10 PCS	19,54	
0158	0D6092								VENTILATEUR + VIS XBM20/30/40	32,38	
0159	000000								See S32		
0160	0KQ488								KEY; 10 PCS; 10 PCS, 6X6X20 MM	23,75	
0161	0D3065								NUT HU M4 WRAPPED (SET X10)	18,02	
0162	0U0665								SCREW SS; M4X10, 10 PCS	19,54	
0S30	0D6100					D			FLASQUE INF MOTRICE EQ XBM40	118,80	
0S31	0D2767								DRIVE PULLEY ASSY XBM20/30	195,90	
0S32	0D6095					D			SUPPORT MOTEUR EQ XBM20/30/40	52,48	
0S33	0KQ230								SPEED LEVER	50,85	
0S34	0D6094					D			ENJOLIVEUR LEVIER COMPLET XBM	33,50	
0S35	0D6102			S					SPEED REGULATOR; XBM	254,80	
0S36	0D6101								BALADEUR EQ XBM20/30/40	96,02	
0S37	0D6093								FLASQUE RECEP < EQ XBM20/30/40	129,90	
0S38	0D2760								SLIDING GEAR ASSY XBM20/30	206,00	
0S39	0D2759			S					UPPER DRIVEN FLANGE ASSY XBM20/30	124,80	
0S40	0D2762								SPEED LEVER+COVER ASSY XBM20/30	62,83	
0S41	0D6096								FLASQUE SUP MOTRICE EQ XBM40	76,02	

Vue éclatée mécanisme / Exploded view- Mechanism



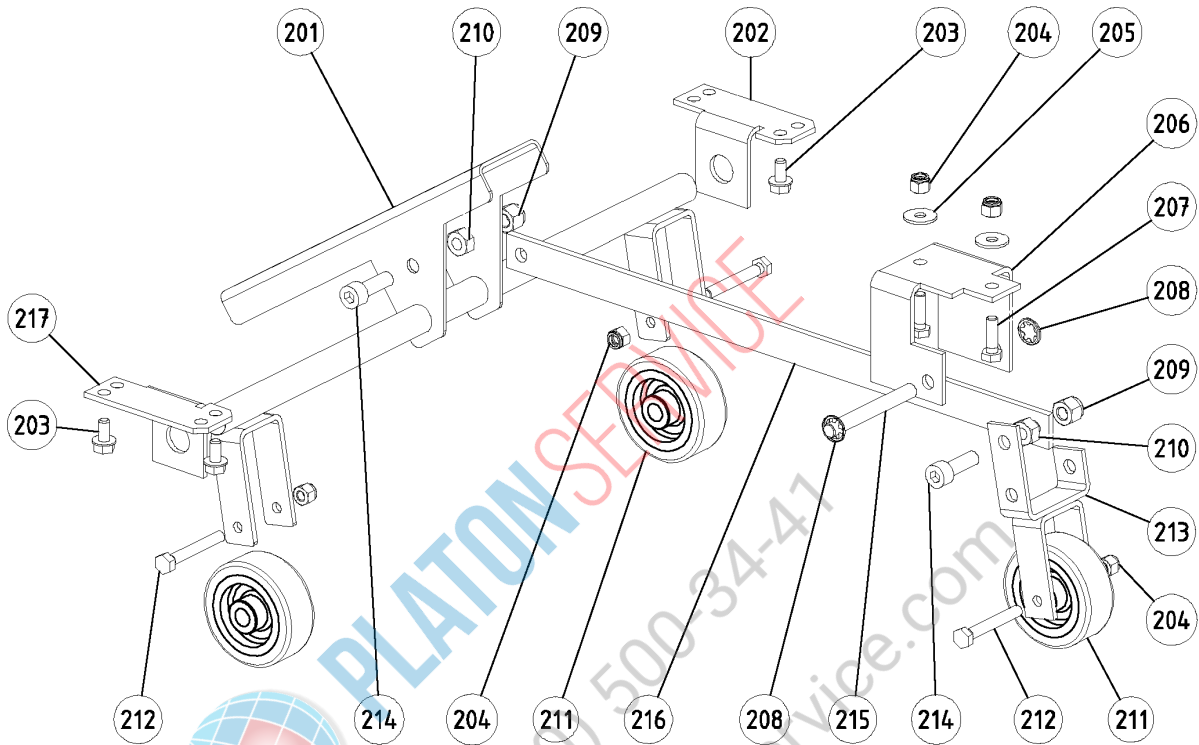
L

XBM20/30 FR 06 08

??????		601856									
??????		SPXBM2030		???????? 12		Exploded view- Mechanism					
.		Alias		S			.				(Euro)
0048	0D5368							ACCESSORY SOCKET COVER; END NAMEPLATE;			27,30
0049	000000								see S19		
0050	0D3333							TAPTITE SCREW TORX; SET 10PCS;M6X16			22,84
0051	000000								see S20		
0052	0D3590							RING NUT HU M8 WRAPPED SET X10			18,76
0053	0KQ394			S	A			BEARING; 6205 2RS			7,50
0054	0D0631						Kit	WASHER; SET 10PCS			5,38
0054	0D1009							SCREW; 10 PCS			20,60
0055	0D2719							V SEAL VA-0190			9,90
0056	000000								see S21		
0057	000000								see S22		
0058	0D6118							VIS CHC M5X30 ACZN (JEU X10)			21,21
0058	0KQ491							WASHER; 10 PCS			18,90
0061	0D6129					D		ENTRETOISE INFERIEURE PA XB20			12,14
0061	0D6130							ENTRETOISE XB20			23,14
0062	0KQ487							KEY; 5 PCS			26,59
0063	0D0006			S				BEARING			9,98
0065	000000								see S24		
0066	0D6110							PLANETAIRE EMBALLE XBM40			315,70
0067	0D5962							PLUG; GPN 300 V301(JEU X10)			25,27
0068	0KQ575							RING; 5 PCS			24,46
0069	0KI590							BALL BEARING; 6303 2RS1			8,42
0070	0U0409							WASHER			5,29
0071	0D0584							NUT; 5 PCS			28,83
0072	0D0955			S	A			COTER PIN; 5 PCS			31,97
0073	0D0954			S				PROTECTION; 2 PCS			30,55
0074	000000								see S25		
0075	000000								see S24		
0076	0D2721			S	A			PINION 14 TEETH XB20			79,58
0077	0D0627							WASHER; 10 PCS			20,71
0077	0KQ512					D		SCREW; 10 PCS			20,40
0079	0D5954							WASHER; 43X25X8 (J X10)			36,64
0080	0D5953							WASHER; 42X30X8 (J X10)			36,64
0081	0D1052							COVER DH XBE10			41,31
0082	0D6041							JOINT TORIQUE 55,56X3,53 JX10			21,21
0083	000000								see S26		

??????	601856								
??????	SPXBM2030	????????	12	Exploded view- Mechanism					
.	Alias		S			.			(Euro)
0084	0KQ334							WING BOLT; M10X30	13,62
0085	0D0656							CLIP; 10 PCS	24,36
0086	0H1040		S					SEAL; 5 PCS	26,19
0087	000000							see S27	
0088	0KQ488							KEY; 10 PCS; 10 PCS, 6X6X20 MM	23,75
0089	0KQ395		S	A				BEARING; 6204 2RS	8,04
0090	0KL162			D				SPACER	7,18
0091	0D3633							ACCSSRY SOCKT SPACER BM40	15,86
0092	0D2753		S	A				ACCSSRY SOCKT WHEEL ASSY XBM20/30	93,99
0093	0D0627							WASHER; 10 PCS	20,71
0093	0KQ512			D				SCREW; 10 PCS	20,40
0094	0D6128							VIS PA 4 FILETS XB20	116,70
0095	0D6127							ENTRETOISE SUPERIEURE PA XB20	6,72
0096	0KQ575							RING; 5 PCS	24,46
0S19	0D2754			D				LUG ASSY XBM20/30	27,30
0S20	0D6470							HEAD; NUE XBE-XBB20/30	907,00
0S21	0D1699							BUSH	34,61
0S22	0D2755		S					CROWN; ASSY; XBM20/30 6 SCREWS ON THE PI	162,40
0S24	0D2758		S					SUN GEAR SHAFT ASSY; XBM20/30	261,90
0S25	0D2757		S					TOOL HOLDER SHAFT; ASSY XBM20/30	101,40
0S26	0D2750							SLEEVE ASSY XBM20/30	161,40
0S27	0D2752							ACCSSRY SOCKT SHAFT ASSY XBM20/30	96,83
0S28	0D2751							ACCSSRY SOCKT ASSY XBM20/30	326,80

Vue éclatée Roulettes (optionnel) / Exploded view Castors (optional) / Explosionszeichnung Rollen (Sonderzubehör) / Esploso Rotelle (opzionale) / Despiece Ruedas (opcional) _



??????	601856								
??????	SPXBM2030	???????? 18	Exploded view Castors (optional)						
.		Alias		S		.			(Euro)
0201	0D5391				D			AXIS; W/PEDALE; XB40	154,30
0202	0D5394				D			SUPPORT; LH; XB40	99,27
0203	0D0551							SCREW; 10 PCS	20,71
0204	0D1659							NUT; 10 PCS	18,37
0205	0D0619							WASHER; 10 PCS	19,11
0206	0D5395				D			SUPPORT; REAR; XB40	102,50
0207	0KQ512				D			SCREW; 10 PCS	20,40
0208	0D0533							WASHER; 10 PCS	23,65
0209	0D0641							LOCKNUT OF 8	18,69
0210	0D0642							NUT; 10 PCS	19,85
0211	0D5357				D			WHEEL; W/SPACER; 3 PCS	66,79
0212	0D0599							SCREW; 10 PCS	21,92
0213	0D5396				D			PLAQUE; REAR; XB40	117,70
0214	0D1660			S	D			SCREW; 10 PCS; 8*25	21,01
0215	0D5397				D			AXIS; REAR; XB40	50,75
0216	0D5392				D			ARM; XB40	72,17
0217	0D5393				D			SUPPORT; RH; XB40	99,27



PLATON SERVICE
 8 (800) 500 34 41
 www.platonservice.com